

FastPulse Technology, Inc.

LASERMETRICS® DIVISION

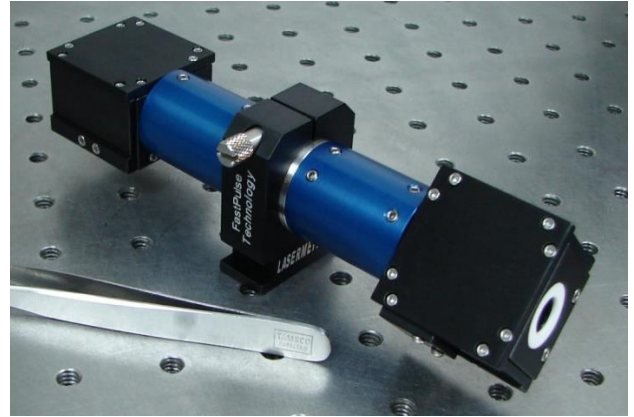
220 Midland Ave., Saddle Brook, NJ 07663

TEL: 973-478-5757 · FAX: 973-478-6115

Web Site: www.fastpulse.com

SERIES 2115 OPTICAL ISOLATORS IR 1.9-2.1µm

FastPulse Technology's 2 µm region Optical Isolator product line is designed for today's high power. IR Laser diodes, Thulium fiber lasers, CTH:YAG, Tm, Cr, and Ho:YAG lasers. The devices now cover the entire 1.9-2.1 µm spectrum. Our large aperture models are optimized with regard to absorption bands in this region. We offer TEC Peltier cooled optical isolators for applications where cooling is required. The mounting design of our Faraday rotator optics insure reliable performance. We can quickly configure our designs for your wavelength of interest. Isolation values typically exceed 30 dB at the center wavelength. These isolator models include power handling levels and apertures unique to the market. Polarizer options are offered to avoid absorption bands in this wavelength region.



Model ISO-8-2050-BP45

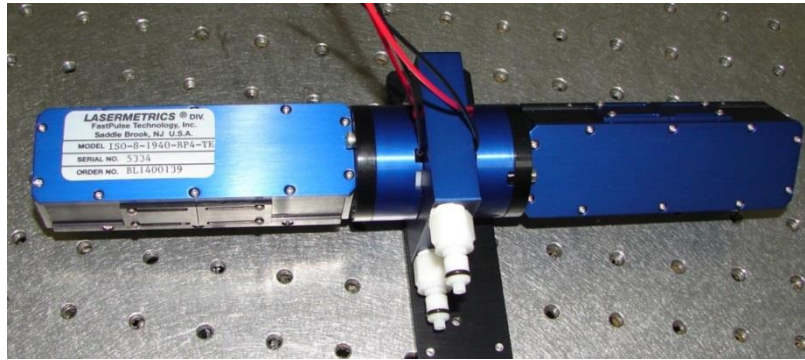
Wavelength	2000 nm	1940 & 2050 nm	2050 nm
Part Number	ISO-5-2000-MP	ISO-5-2050-HP	ISO-8-2050-BP45*
Aperture/Polarizer	4.5 mm/YVO4	4.5 mm/Calcite	8 mm/IR FS
Bandwidth	1960-2050 nm	2010-2090 nm	2050-2065 nm
Power	10 W	10 W	Inquire
Isolation	30-35 dB	30-37 dB	24-30 dB
Transmission	~90%	~89%	~ 92%

* Special Order.

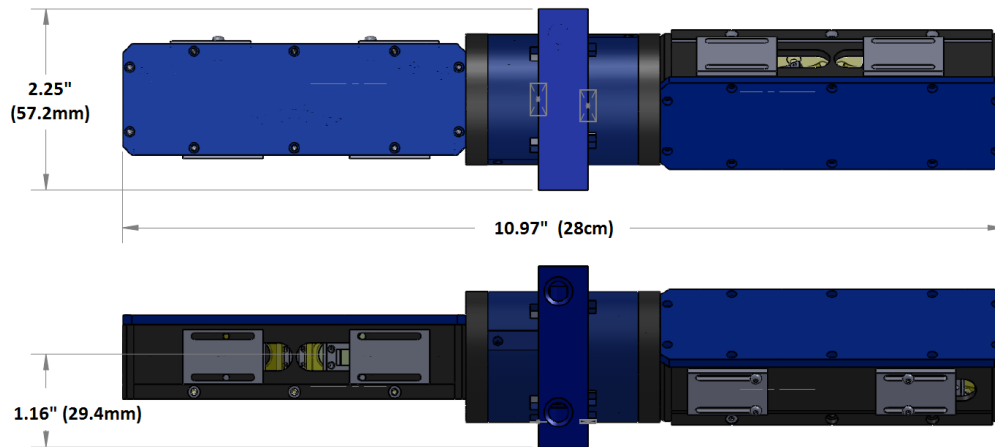
FastPulse Technology's 1.9-2.1 µm region isolators include unique configurations for special applications. The models below are TEC Peltier & Liquid cooled. Faraday rotators without polarizers are also available. Our BPZ series high power IR polarizer provide high performance over the 1-10 µm bandwidth. This IR polarizer does not have fragile surface structures or require special expensive coating runs.

Wavelength	1940 nm	2000 nm	2060 nm
Part Number	ISO-8-1940-BPZ	ISO-8-2000-BPZ	ISO-8-2060-BPZ
Aperture	8 mm	8 mm	8 mm
Bandwidth	+/-50 nm	+/-50 nm	+/-50 nm
Power	Inquire	Inquire	Inquire
Isolation	23-30 dB	23-30 dB	23-30 dB
Transmission (10W)	~92%	~92%	~ 92%

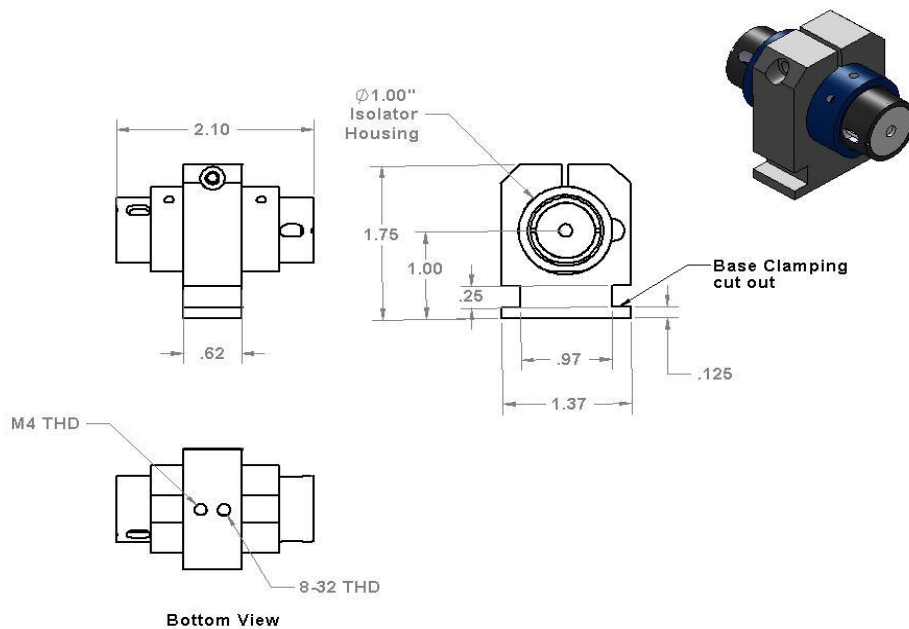
CONTINUED NEXT PAGE



MODEL ISO-8-λ-BPZ-TEC (BPZ Polarizers and Peltier Cooling, [select λ: 1900-2100nm])



ISOLATOR ISO-5-2000-MP WITH BPZ POLARIZERS - MOUNTED ON BASE



ISOLATOR ISO-5-2000-MP WITH YVO₄ POLARIZERS - MOUNTED ON BASE